

3500 Series - Grade 2 - Lever

You have selected part number:



- Applications:**
- Standard Duty Commercial
 - Standard Door Prep - 2 1/8" Diameter (Cross Bore)
 - Latch Hole - 1" Diameter (Edge Bore)
- Certifications:**
- BHMA Certified ANSI A156.2 Grade 2
 - ADA Compliant ANSI A117.1 Accessibility Code
 - UL/cUL Listed for all functions up to 3 hours "A" label single doors
 - UL10C/UBC 7-2 (1997) Positive Pressure Rated
 - UL10B Neutral Pressure Rated
- Exposed Trim:**
- Wrought Brass, Bronze, and Stainless Steel
 - Lever is zinc based, plated to match BHMA symbols
- Lock Chassis:**
- Heavy gauge steel, zinc dichromated for corrosion resistance
 - Free Wheeling
 - Removable thru-bolts
 - Failure to install thru-bolts and removable screw posts voids BHMA certification, UL Rating, and Warranty.
- Rose Diameter:**
- 3 3/8"
- Keys:**
- Two brass keys per lock
- Cylinders:**
- Standard Core - Brass 6-pin - Keyed Different - C Keyway
 - Interchangeable Core - Brass 6 & 7 pin - Uncombined & Combined
 - Other keying options available from the factory
- Door Thickness:**
- 1 3/8" - 2"
- Backset:**
- 2 3/4"
 - 2 3/8" - Optional
- Latchbolt:**
- 1/2" Throw - Stainless Steel
 - 2 1/4" x 1 1/8" Faceplate
 - Deadlocking latchbolt prevents manipulation when door is closed; keyed functions only
- Strikes:**
- ANSI 1 1/4" x 4 7/8" strike
 - "T" strike 1 1/8" x 2 3/4" - Optional
- Functions:**
- 53 Entry
 - 50 Office
 - 70 Classroom
 - 80 Storeroom
 - 79 Keyed Communicating
 - 40 Privacy



Archer



August



Withnell

- 25 Exit Only
- 10 Passage
- 17 Dummy
- 73 Corridor

Finishes:

- US3
- US4
- US10
- US10B
- US26
- US26D

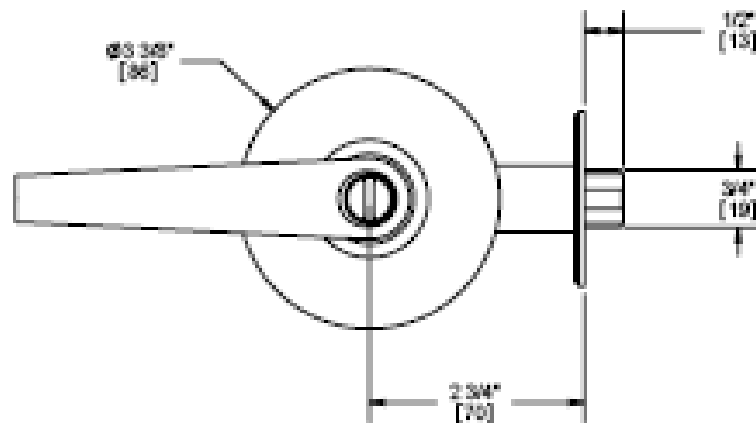
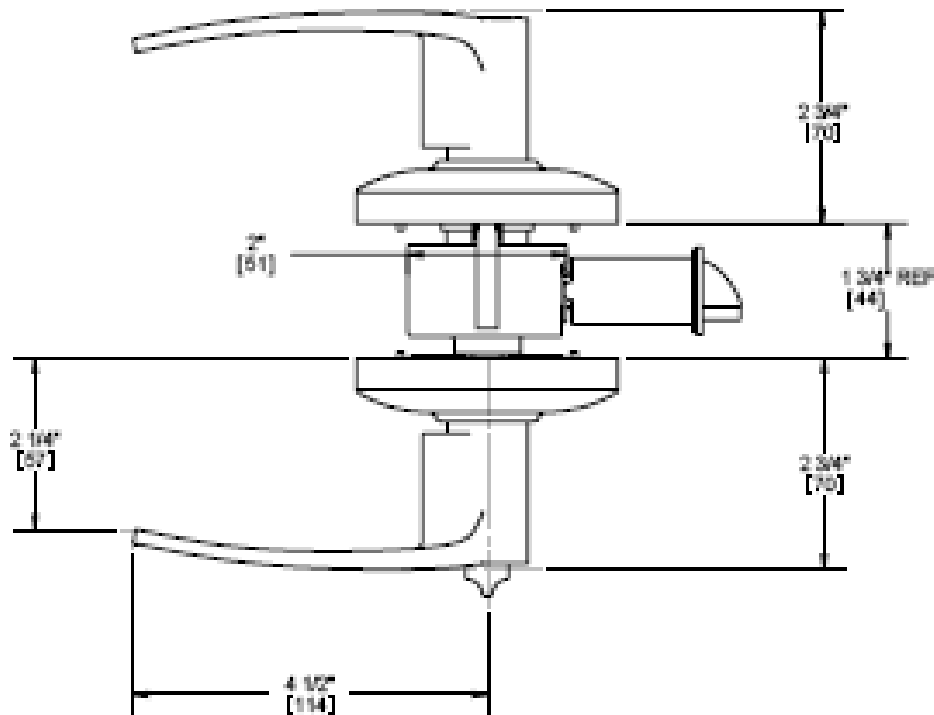
Note:

- Blank plate projection is 13/16" for Functions 25 and 79
- Interchangeable Cores are sold separately
- Interchangeable Cores are not available on Apollo knob
- 3525 Exit & 3579 Keyed Communicating functions are not available on Apollo knob

Options:

- Lead Lined (Levers Only)
- Tactile Knurling (Levers Only)
- Split Finish (40 Function Only)

REVISIONS		
REV.	DESCRIPTION	DATE



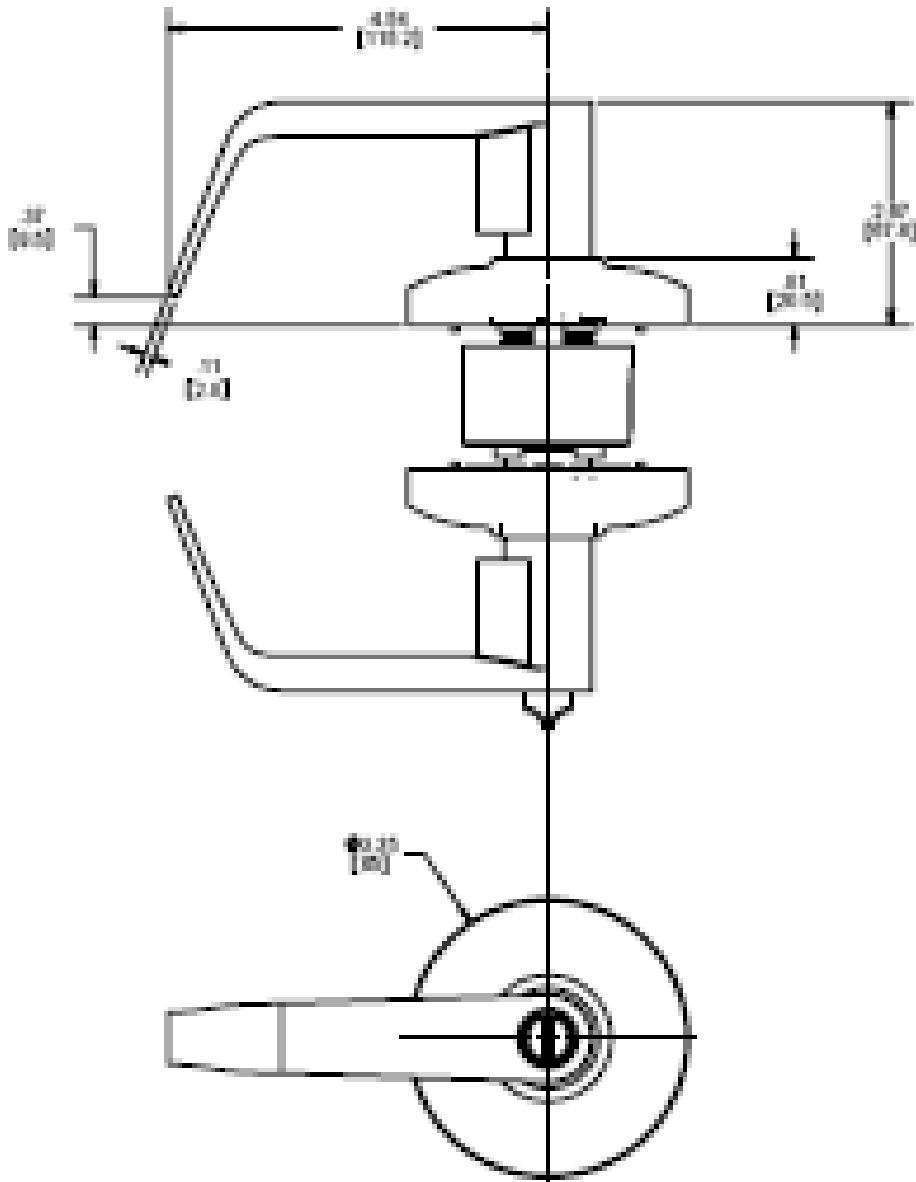
HAGER RESERVES THE RIGHT TO MAKE DESIGN CHANGES WITHOUT NOTICE. CALL HAGER ENGINEERING AT 1-800-325-9995 FOR THE LATEST REVISION DATE OF TEMPLATE.

FOR MOST DIMENSIONS, SHOWS IN BRACKETS. DIMENSIONS IN [] ARE MILLIMETERS.

DESIGN	DATE
BY	DATE
BY	DATE

SCALE	AS SHOWN	1:1
UNIT	INCHES	
TOLERANCES:	FRACTIONS ± 0.005	
	DECIMALS ± 0.001 (1" ± 0.002)	
	HOLE PLACES DECIMAL ± 0.002	
	HOLE PLACES DECIMAL ± 0.002	

3500 AUGUST LEVER OVERALL DIMENSIONS		
REV.	REV. NO.	DATE
A	3500 AUG LEVER DIM	
ISSUED	PROJECT	DRAWING



NO GUARANTEE IS GIVEN AS TO
 ACCURACY OF DIMENSIONS OR
 TOLERANCES. DIMENSIONS AND TOLERANCES
 ARE GIVEN FOR INFORMATION ONLY.
 TRUCKER ASSUMES NO LIABILITY FOR
 DIMENSIONS AND TOLERANCES.

DATE: _____
 DRAWN BY: _____
 CHECKED BY: _____
 APPROVED BY: _____

REV. _____
 DATE: _____
 BY: _____
 REASON: _____

TITLE		
WATER-BELL LENS		
DATE	BY	CHKD
11/11/2020	ALDRIDGE	
APPROVED	DATE	BY